

PLEASE READ  
**BEFORE MOUNTING!!**  
HOOD TO TRUCK

**Thank you for purchasing a Jones Performance quality truck hood.**

There are insulation washers enclosed for the insulation tabs.

The hood you have purchased is the first 378 Peterbilt fiberglass center section with fiberglass bolt on fenders. Built with patented innerstructure for reinforcement. The grille surround area has been redesigned for maximum structural integrity. This design allows for greater ease of installing the grille and grille surround.

Please read the following information and suggestions before installing your new Jones Performance hood.

**All hoods must be fit before painting.**

**Grille Surround Mounting Procedure:**

**Note: Hood should be off truck to install grille.**

**ALERT!**

**Grille surround must be fully assembled before installing on hood.**

Check the grille surround closely before installing. We have found many variances between grilles and surrounds. Lay the grille surround flat on a level surface and verify that it touches surface all the way around.

Please call before installing if you have any concerns: 1-800-451-1600.

Place grille surround on hood and begin to mount starting at the top center working each way alternating from side to side. Drill and attach as you go.

**\*\*\*Do not drill all the holes at one time\*\*\*** By doing this you will achieve the best fit around the top radius.

### Grille Surround Mounting Procedure (cont.):

Due to the nature of open molded fiberglass the thickness of your hood will vary. We try to achieve a consistent thickness but there will be variances. In most cases you will need the following two sizes of hucks to attach the grille surround. See the diagram below.

Long huck: KW part# HWC01834 (26 total)

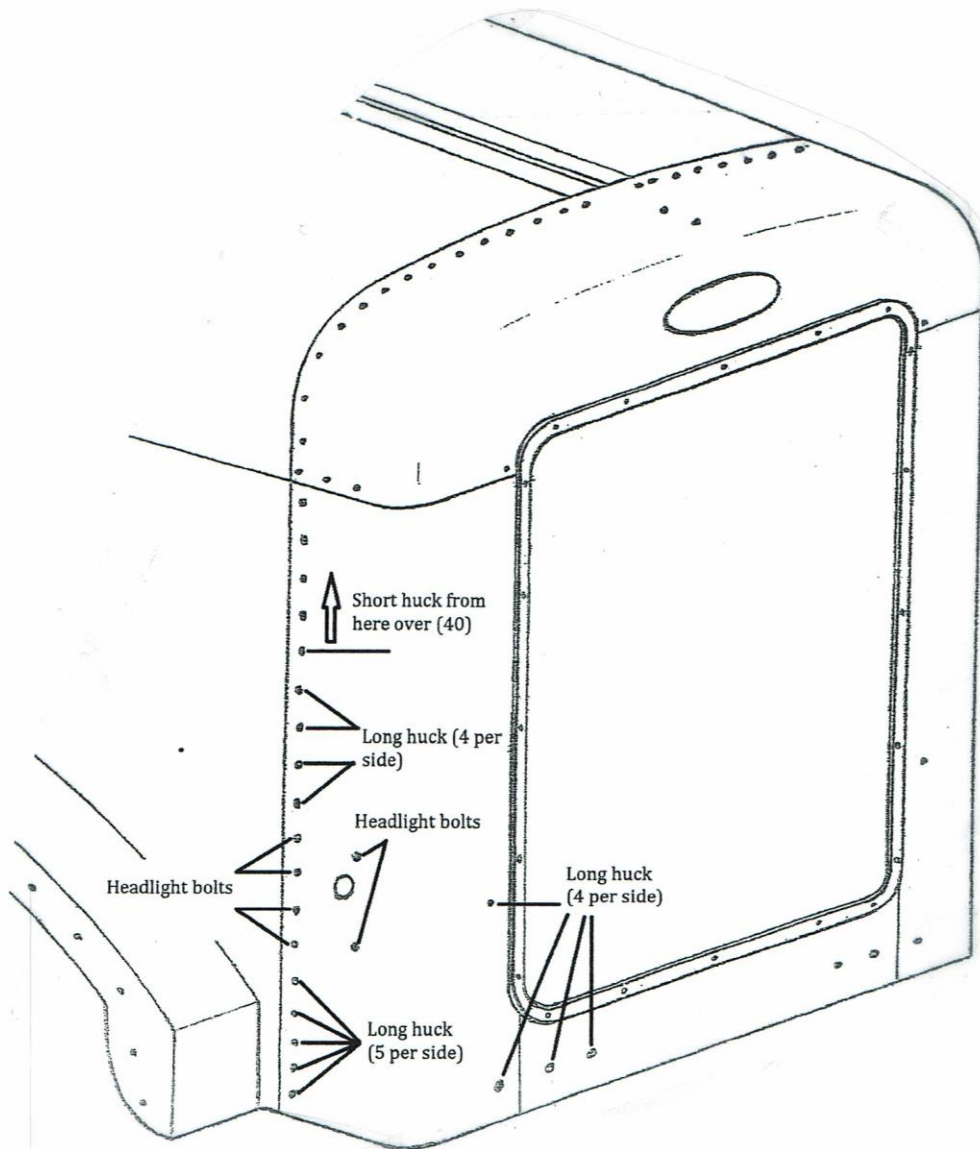
Short huck: KW part# HWC01840 (40 total)

Nut collar: KW part# HWC02092 (66 total)

### Grille surround must be fully assembled before installing on hood.

Place grille surround on hood and begin to mount starting at the top center working each way alternating side to side. Drill and attach as you go. By doing this you will achieve the best fit around the top radius.

**Do not drill all the holes at one time.**



### Hinge Mount Procedure:

**ALERT!**  
Remove and discard the hinge shipping cross bar before installing hood.

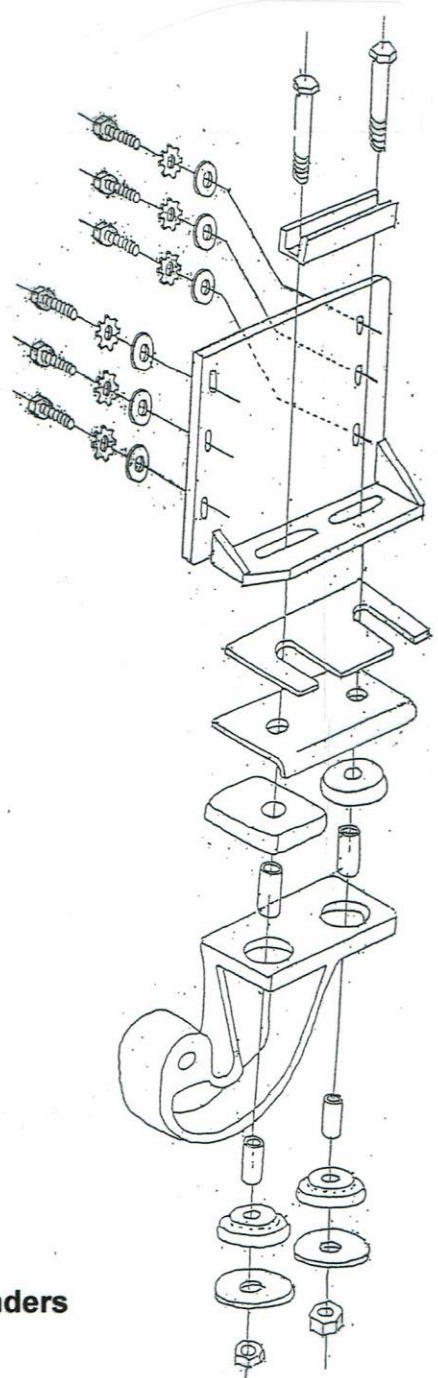
**JP Hinge Bracket**  
Torque the 6 hinge bolts to 360 inch pounds or 30 ft. pounds.

Verify the hinge is assembled properly. See illustration 1. Improper assembly may cause the hood to become loose and move. Replace any worn or damaged parts. Most importantly, verify that the rubber bushings are not crushed and that the metal sleeves are installed.

We have redesigned the hinge area for greater strength and durability. Although most hoods will not require any shims, we have included one set.

**Note: The JP hinge bracket is slotted to allow for some adjustment without the use of shims.**

Illustraion 1



### Fender Mounting Procedure: (only Jones Performance fenders will fit the center section)

Note: Due to customer suggestions, we do not completely bolt the fenders to the center section. This allows the fenders to be removed more easily for painting. Follow the procedure below when you remount your fenders.

The holes have been predrilled in the center section and fenders for your convenience. To mount, you must first adhere the foam tape (included with center section) to the mounting area of the center section, then line up the fender to the center section and bolt with the stainless steel bolts (also included).

## Front Step Mount Procedure:

### **ALERT!**

Due to three variations of steps it is important to verify which step you have. Your JP hood and fender combination is set up to fit the newest style step. OEM part #'s: L82-6004LP and L82-6004RP.

**If you have OEM step part #'s 15-05594LP and 15-05594RP follow this procedure:**

- Once the grille surround has been installed you will need to test fit the step to the fender. In most applications you will see if the step is bolted in the old location to the grille surround, the step will not come in contact with the fender.
- Move the step until you have contact with the fender. Mark the three mounting holes on grille surround surface and then drill them at 1/4".
- Bolt the step to the grille surround and drill the two holes in the front of the fender at 3/8". Bolt up complete.

**If you have OEM step part #'s 15-06245L and 15-06245R, these steps DO NOT FIT. We recommend purchasing the OEM step part #'s L82-6004LP and L82-6004RP.**

## Tilt Cable Attachment Procedure:

There are two different attachment points depending on the model year of your truck. The JP hood you purchased is set up for the most common style, which is located in the center of the side brace.

If your model attached to a plate which was hucked to the hinge gusset, you will need to remove the cable attachment stud from the side brace and screw it in to the pretapped hole just above the hinge plate.

**Note: You do not need the OEM plate that is attached to the current OEM hinge gusset.**